

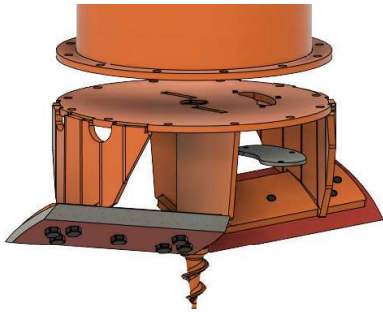
The stump screw must be changed when it is worn out and hinders drilling. A worn stump screw might break the stump, making it more difficult to drill.



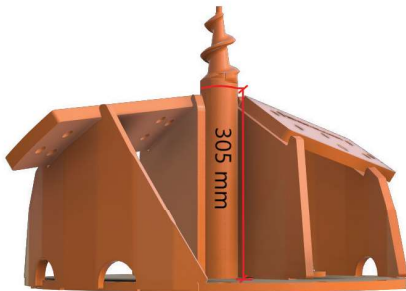
- The stump screw must be changed in a workshop where they weld it.
- Use only authentic stump screws

Feed screw must be replaced when its worn or when the stump crusher has difficulties entering the stump

1. Wear PPE (Personal Protective Equipment)
2. Remove blades from the attachment. Caution! Sharp blades! Use protective gloves!
3. Remove the blade holder from the attachment (See below) (12 pcs M18x60 bolts)



4. Place the blade holder in a vice horizontally. Make sure It's affixed.
5. Measure 305mm from the baseplate and mark the cutting line if the factory line has worn out. Check measurements twice.



6. Cut off the feed screw using appropriate tools.
7. Chamfer edges. Grind edges so that the new screw would fit.
8. Place on the new screw, weld it.
9. Grind off excessive welds.
10. Chamfer screw sides that come intact with the blades. After chamfering the blade must be boltable while touching the screw side.
11. Reattach the blade holder to the attachment. (12 pcs M18x60 bolts)
12. Reattach the blades to the attachment. Caution! Sharp blades! Use protective gloves!